

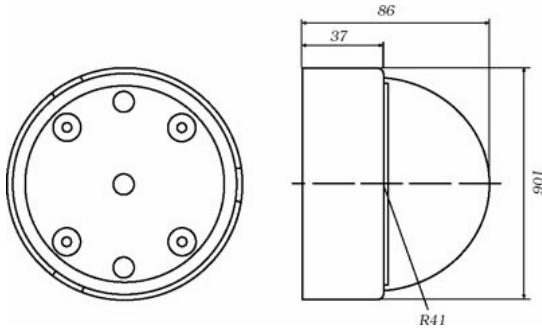


# N5-101

## MINI FIXED DOME

### Caution for Installation

---



1. Avoid places where there is direct sunlight.
2. Do not directly touch the CCD element. If necessary, use a soft cloth moistened with alcohol to wipe off the dust.
3. Avoid places where temperatures exceed 50° C or more
4. Avoid places where there is frequent vibrations or shocks
5. Please input power regulator DC 12V.
6. When any abnormalities occur, make sure to unplug the unit and contact your local dealer
7. Remove acrylic cover to adjust lens by turning to the best possible focus adjustment.

### Specifications

---

Image Sensor	1/3" SONY CCD color
Picture Elements	NTSC 510H x 492V PAL 500H x 582V
Sensing Area	4.9 mm x 3.7mm
System of Signal	PAL/NTSC
Resolution	420 LINES
Minimum Illumination	0.8 LUX/F1.2
Electronic Shutter	1/50 (1/60) - 1/100,000Sec
S/N Ratio	More Than 48db
Video Output	1.0Vp-p, 75
Supply Voltage	DC 12V
Power Consumption	120mA
Operating Temperature	-20°C ~+50°C
Dimensions	100mm x 65mm