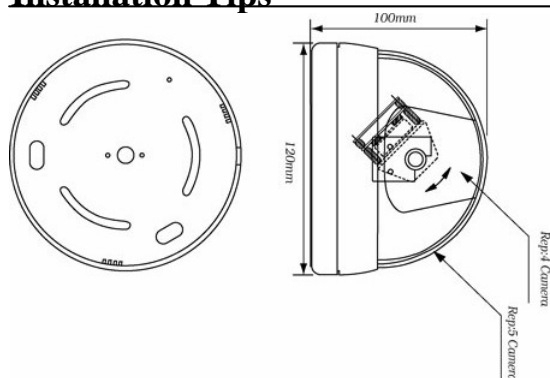




N5-107

HRES DOME VARIFOCAL AUTOIRIS

Installation Tips



1. Avoid places where there is direct sunlight.
2. Do not directly touch the CCD element. If necessary, use a soft cloth moistened with alcohol to wipe off the dust.
3. Avoid places where temperatures exceed 50° C or more
4. Avoid places where there is frequent vibrations or shocks
5. Please input power regulator DC 12V.
6. When any abnormalities occur, make sure to unplug the unit and contact your local dealer
7. Remove the cover, loosen up the two levers located around the lens by turning them counterclockwise, turn cylinders around the lens to adjust zoom and focus. Tight levers after reaching desired adjustment.

Specifications

PICK UP DEVICE	1/3" SONY Super HAD CCD
PICTURE ELEMENTS H*V	NTSC: 768*494 PAL: 752*582
HORIZONTAL RESOLUTION	520 TV Lines
H. SYNC. FREQUENCY	NTSC: 15.734 kHz – PAL: 15.625 kHz
V. SYNC. FREQUENCY	NTSC: 59.94Hz PAL: 50Hz
SCANNING SYSTEM	2:1 INTERLANCE
SVNCHRONIZATION	Intemal
SENSITIVITY	0.025Lux
S/N RATIO	MORE THAN 48 dB
ELECTRONIC SHUTTER	Up to 1/100,000 sec.
GAMMA	0.45
VIDEO OUTPUT	1 Vp-p, 75 Ohms Composite
LENS	4-8mm varifocal lens
POWER SUPPLY	12 VDC (± 10%)
POWER CONSUMPTION	220mA
WEIGHT	360 gr
DIMENSIONS mm	Diameter 0132, H: 100
STORAGE TEMPERATURE	-30 to +60 Degree C
OPERATON TEMPERATURE	-10 to +60 Degree C